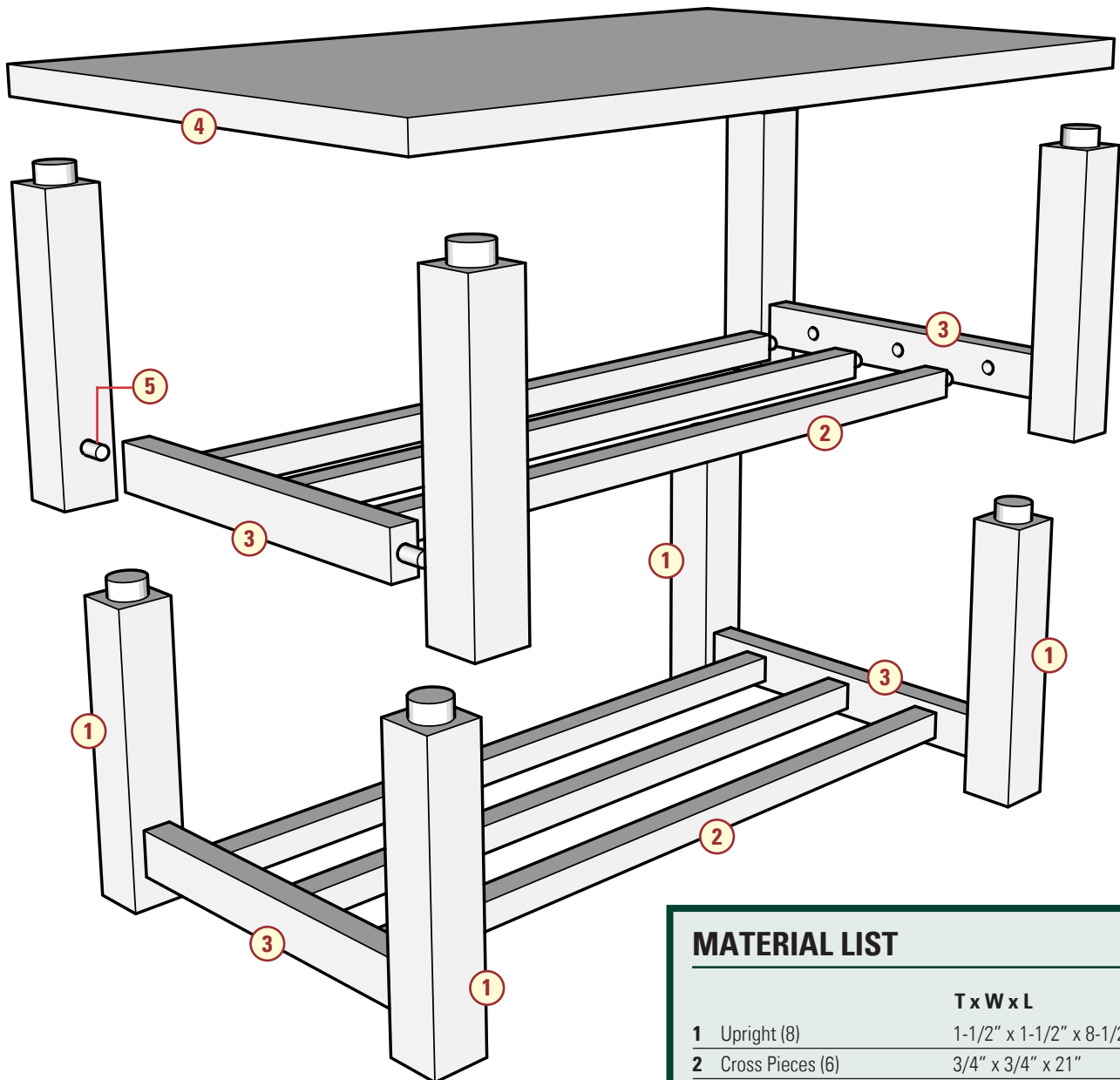


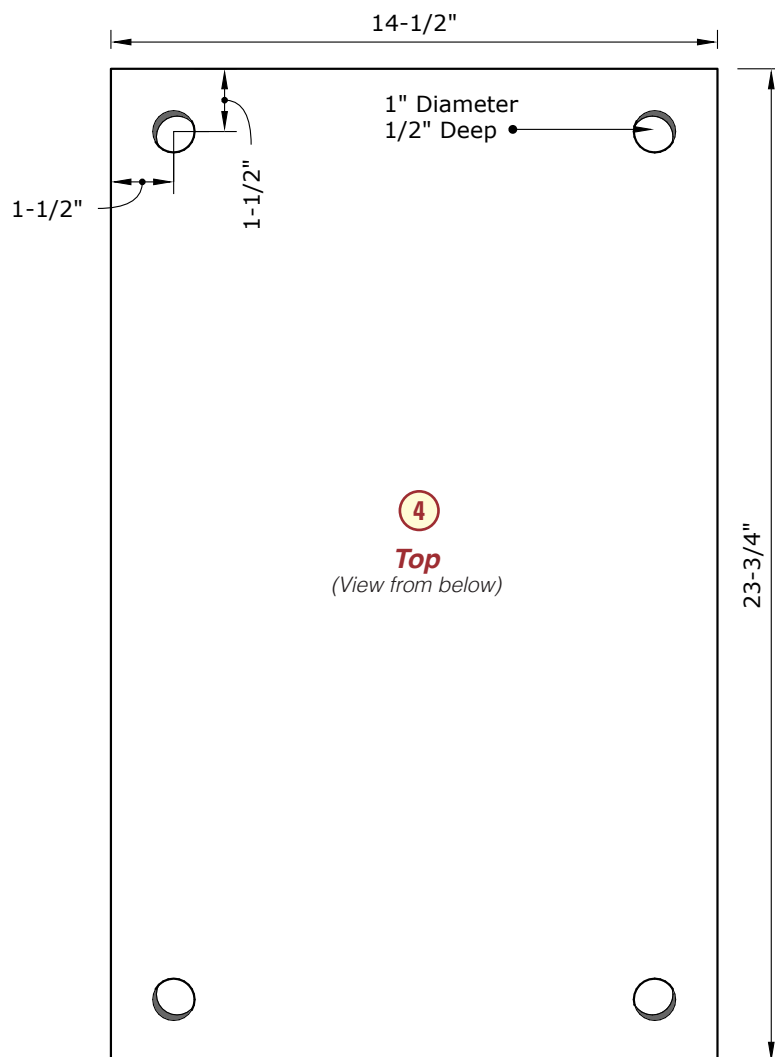
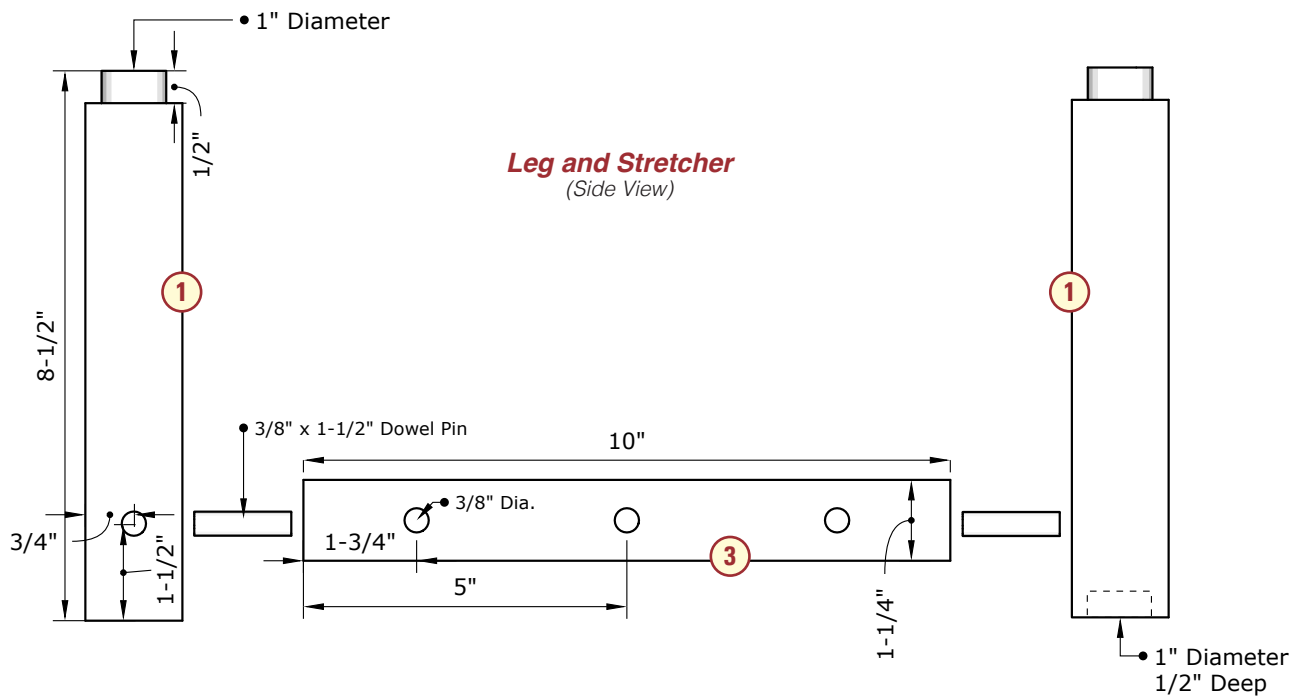
MODULAR SHOE RACK



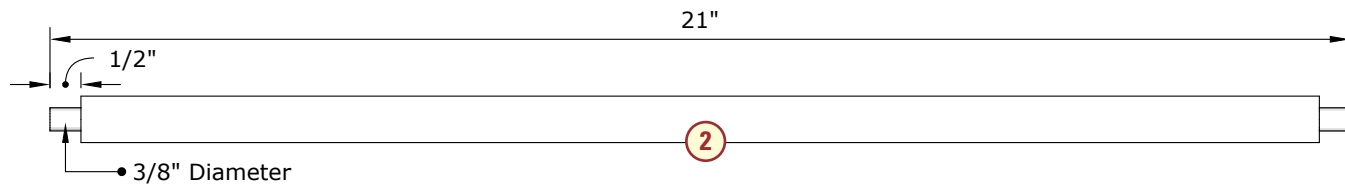
This modular shoe rack would be at home in an entryway or a closet. It is easy to make and you can add more layers as your shoe collection demands.

MATERIAL LIST

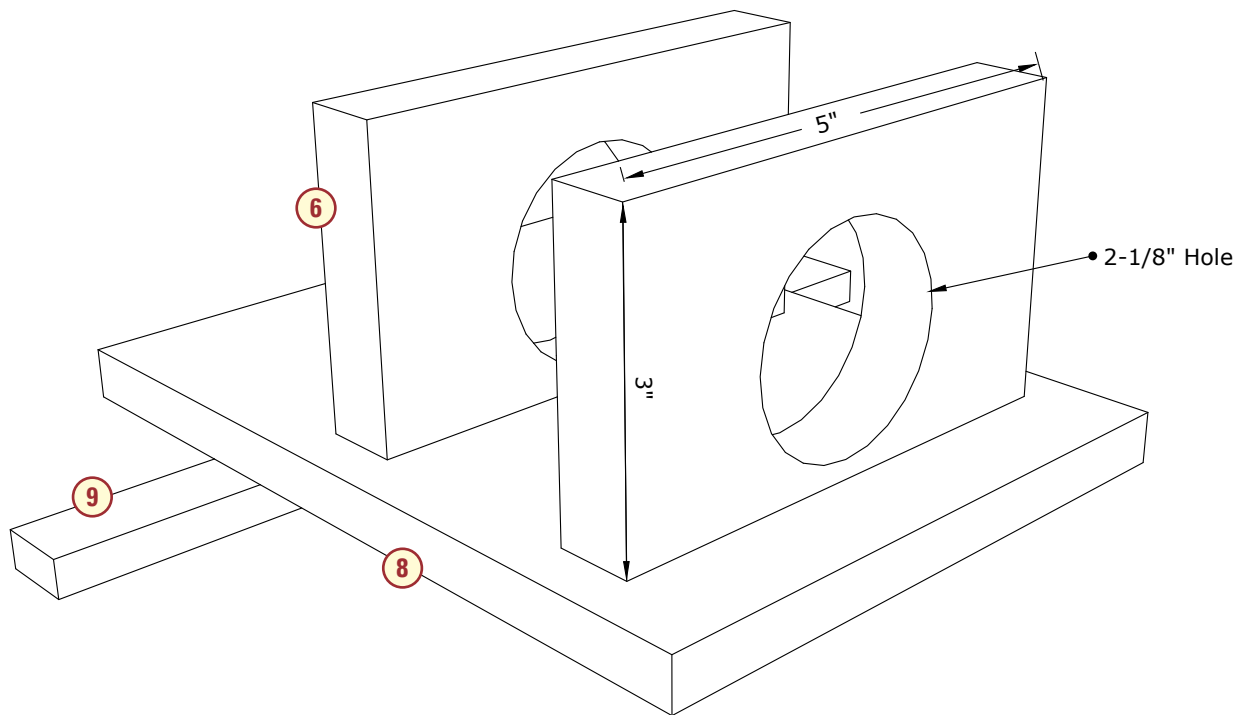
	T x W x L
1 Upright (8)	1-1/2" x 1-1/2" x 8-1/2"
2 Cross Pieces (6)	3/4" x 3/4" x 21"
3 Stretcher (4)	3/4" x 1-1/4" x 10"
4 Top (1)	3/4" x 14-1/2" x 23-3/4"
5 Dowel Pin (8)	3/8" x 1-1/2"
6 Upright Jig Support (2)	3/4" x 3" x 5"
7 Crosspiece Jig Support (2)	3/4" x 1-1/2" x 4"
8 Jig Base (2)	1/2" X 6" x 8"
9 Miter Track (2)	3/8" x 3/4" x 10"



Cross Piece
(Side View)



Upright Tenoning Jig



Crosspiece Tenoning Jig

